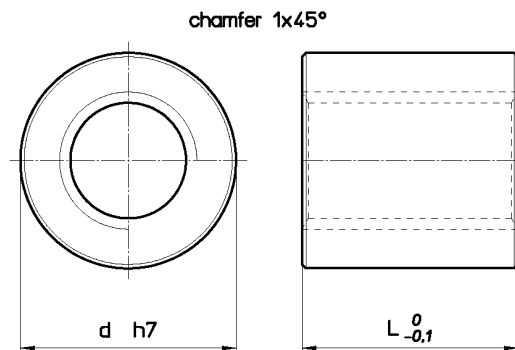


## Trapezoidal nut type HSN - Cylindrical bronze

**Material: EN 1982 Cu Sn5 Zn5 Pb5-C – CC491K**

Cylindrical bronze nut for movement with modest loads compared with FXN. HDL and HAL.

Good lubrication is recommended.

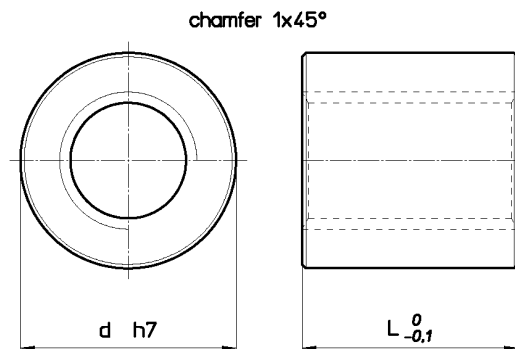


| Nut Stock no.<br><b>RIGHT</b> | Nut Stock no.<br><b>LEFT</b> | Diameter x lead | Thread starts | d mm | L mm | Wt. kg/each | At mm <sup>2</sup> (1) |
|-------------------------------|------------------------------|-----------------|---------------|------|------|-------------|------------------------|
| HSN 12 A R                    | HSN 12 A L                   | Tr 12x3         | 1             | 36   | 36   | 0.302       | 594                    |
| HSN 14 A R                    | HSN 14 A L                   | Tr 14x4         | 1             | 36   | 36   | 0.290       | 677                    |
| HSN 16 A R                    | HSN 16 A L                   | Tr 16x4         | 1             | 36   | 36   | 0.276       | 792                    |
| HSN 16 B R                    | --                           | Tr 16x8 (P4)    | 2             | 36   | 36   | 0.276       | 792                    |
| HSN 18 A R                    | HSN 18 A L                   | Tr 18x4         | 1             | 36   | 36   | 0.259       | 905                    |
| HSN 20 A R                    | HSN 20 A L                   | Tr 20x4         | 1             | 40   | 40   | 0.354       | 1130                   |
| HSN 20 B R                    | --                           | Tr 20x8 (P4)    | 2             | 40   | 40   | 0.354       | 1130                   |
| HSN 22 A R                    | HSN 22 A L                   | Tr 22x5         | 1             | 40   | 40   | 0.33        | 1225                   |
| HSN 25 A R                    | HSN 25 A L                   | Tr 25x5         | 1             | 45   | 45   | 0.47        | 1590                   |
| HSN 25 B R                    | --                           | Tr 25x10 (P5)   | 2             | 45   | 45   | 0.47        | 1590                   |
| HSN 28 A R                    | HSN 28 A L                   | Tr 28x5         | 1             | 45   | 45   | 0.42        | 1800                   |
| HSN 28 B R                    | --                           | Tr 28x10 (P5)   | 2             | 45   | 45   | 0.42        | 1800                   |
| HSN 30 A R                    | HSN 30 A L                   | Tr 30x6         | 1             | 50   | 50   | 0.60        | 2120                   |
| HSN 30 B R                    | --                           | Tr 30x12 (P6)   | 2             | 50   | 50   | 0.60        | 2120                   |
| HSN 35 A R                    | HSN 35 A L                   | Tr 35x6         | 1             | 55   | 55   | 0.75        | 2764                   |
| HSN 40 A R                    | HSN 40 A L                   | Tr 40x7         | 1             | 60   | 60   | 0.92        | 3440                   |
| HSN 40 B R                    | --                           | Tr 40x14 (P7)   | 2             | 60   | 60   | 0.92        | 3440                   |
| HSN 45 A R                    | HSN 45 A L                   | Tr 45x8         | 1             | 65   | 65   | 1.10        | 4186                   |
| HSN 50 A R                    | HSN 50 A L                   | Tr 50x8         | 1             | 70   | 70   | 1.30        | 5057                   |
| HSN 55 A R                    | --                           | Tr 55x9         | 1             | 80   | 80   | 2.07        | 6345                   |
| HSN 60 A R                    | HSN 60 A L                   | Tr 60x9         | 1             | 80   | 80   | 1.75        | 6975                   |

## Trapezoidal nut type HBD - Cylindrical bronze

**Material: EN 1982 Cu Sn7 Zn4 Pb7-C – CC493K**

Cylindrical bronze nut for movement with modest loads compared with FXN, HDL and HAL. Good lubrication is recommended.



| Nut Stock no.<br><b>RIGHT</b> | Nut Stock no.<br><b>LEFT</b> | Diameter x lead | Thread starts | d mm | L mm | Wt. kg/each | At mm <sup>2</sup> (1) |
|-------------------------------|------------------------------|-----------------|---------------|------|------|-------------|------------------------|
| HBD 10 T R                    | HBD 10 T L                   | Tr 10x2         | 1             | 22   | 20   | 0.058       | 282                    |
| HBD 10 A R                    | HBD 10 A L                   | Tr 10x3         | 1             | 22   | 20   | 0.057       | 267                    |
| HBD 12 A R                    | HBD 12 A L                   | Tr 12x3         | 1             | 26   | 24   | 0.094       | 396                    |
| HBD 12 B R                    | --                           | Tr 12x6 (P3)    | 2             | 26   | 24   | 0.094       | 396                    |
| HBD 14 R R                    | HBD 14 R L                   | Tr 14x3         | 1             | 30   | 28   | 0.146       | 550                    |
| HBD 14 A R                    | HBD 14 A L                   | Tr 14x4         | 1             | 30   | 28   | 0.146       | 526                    |
| HBD 14 B R                    | --                           | Tr 14x6 (P3)    | 2             | 30   | 28   | 0.146       | 550                    |
| HBD 16 A R                    | HBD 16 A L                   | Tr 16x4         | 1             | 36   | 32   | 0.245       | 704                    |
| HBD 16 B R                    | --                           | Tr 16x8 (P4)    | 2             | 36   | 32   | 0.245       | 704                    |
| HBD 18 A R                    | HBD 18 A L                   | Tr 18x4         | 1             | 40   | 36   | 0.337       | 905                    |
| HBD 20 A R                    | HBD 20 A L                   | Tr 20x4         | 1             | 45   | 40   | 0.476       | 1130                   |
| HBD 22 A R                    | HBD 22 A L                   | Tr 22x5         | 1             | 45   | 40   | 0.456       | 1225                   |
| HBD 24 A R                    | HBD 24 A L                   | Tr 24x5         | 1             | 50   | 48   | 0.680       | 1620                   |
| HBD 26 A R                    | HBD 26 A L                   | Tr 26x5         | 1             | 50   | 48   | 0.648       | 1770                   |
| HBD 28 A R                    | HBD 28 A L                   | Tr 28x5         | 1             | 60   | 60   | 1.237       | 2400                   |
| HBD 30 A R                    | HBD 30 A L                   | Tr 30x6         | 1             | 60   | 60   | 1.195       | 2544                   |
| HBD 30 B R                    | --                           | Tr 30x12 (P6)   | 2             | 60   | 60   | 1.195       | 2544                   |
| HBD 32 A R                    | HBD 32 A L                   | Tr 32x6         | 1             | 60   | 60   | 1.145       | 2733                   |
| HBD 36 A R                    | HBD 36 A L                   | Tr 36x6         | 1             | 75   | 72   | 2.232       | 3732                   |
| HBD 40 A R                    | HBD 40 A L                   | Tr 40x7         | 1             | 80   | 80   | 2.823       | 4587                   |
| HBD 40 B R                    | --                           | Tr 40x14 (P7)   | 2             | 80   | 80   | 2.823       | 4587                   |
| HBD 44 A R                    | HBD 44 A L                   | Tr 44x7         | 1             | 80   | 80   | 2.639       | 5090                   |
| HBD 50 A R                    | HBD 50 A L                   | Tr 50x8         | 1             | 90   | 100  | 4.142       | 7224                   |
| HBD 60 A R                    | HBD 60 A L                   | Tr 60x9         | 1             | 100  | 120  | 5.716       | 10462                  |
| HBD 70 A R                    | HBD 70 A L                   | Tr 70x10        | 1             | 110  | 140  | 7.548       | 14294                  |
| HBD 80 A R                    | HBD 80 A L                   | Tr 80x10        | 1             | 120  | 160  | 9.60        | 18850                  |

(1) Total bearing surface between screw and nut teeth on plane perpendicular to axis.