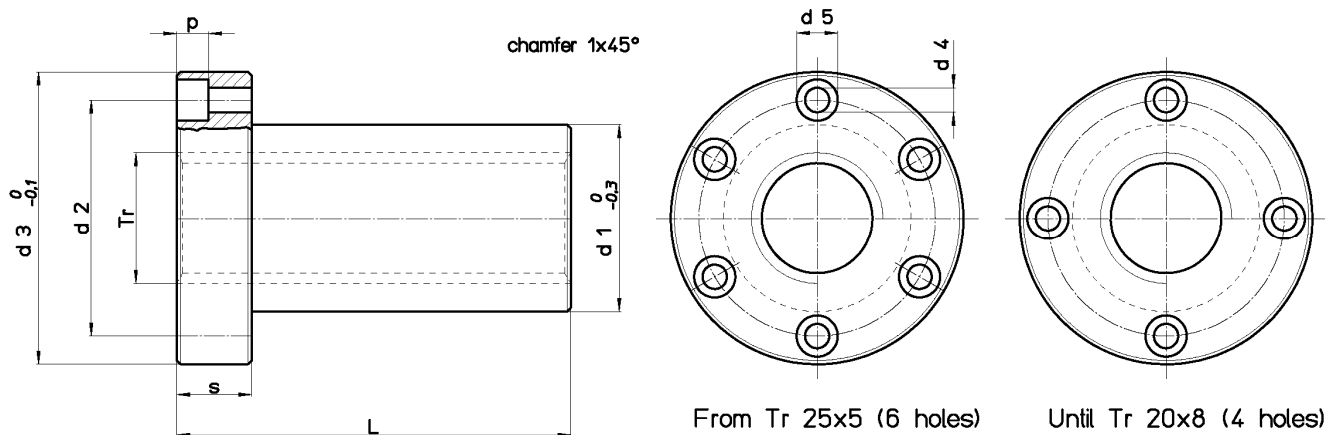


Trapezoidal nut type FCS - Flanged self-lubricating plastic

Material: PA 6 + Mo S2 DIN 7728 + additives This Type of nut is made of a very wear-resistant perfectly self-lubricating plastic. It doesn't require any other lubrication as long as it is in use. The 3 x d length gives better load distribution and limits wear. The flange dimensions make them fully interchangeable with The FTN, FXN, HDL and HAL (total length and flange thickness are variable).



Nut Stock no. RIGHT	Nut Stock no. LEFT	Diameter x lead	Thread starts	d1 mm	d2 mm	d3 mm	d4 mm	d5 mm	p mm	L mm	s mm	no. screw holes	Fastening screws (class 8.8)	Wt. kg/each	At mm ² (1)
FCS 12 A R	FCS 12 A L	Tr 12x3	1	18	26	37	4.5	7.5	4.2	36	12	4	M4	0.016	594
FCS 16 A R	FCS 16 A L	Tr 16x4	1	22	32	45	5.5	9,5	5.2	48	16	4	M5	0.030	1056
FCS 20 A R	FCS 20 A L	Tr 20x4	1	30	40	52	5.5	9,5	5.2	60	20	4	M5	0.057	1696
FCS 20 B R	--	Tr 20x8 (P4)	2	30	40	52	5.5	9,5	5.2	60	20	4	M5	0.057	1696
FCS 25 A R	FCS 25 A L	Tr 25x5	1	35	48	62	6.5	11	6.5	75	25	6	M6	0.094	2650
FCS 28 A R	FCS 28 A L	Tr 28x5	1	40	53	68	6.5	11	6.5	90	30	6	M6	0.142	3600
FCS 28 B R	--	Tr 28x10 (P5)	2	40	53	68	6.5	11	6.5	90	30	6	M6	0.142	3600
FCS 30 A R	FCS 30 A L	Tr 30x6	1	40	53	68	6.5	11	6.5	90	30	6	M6	0.135	3816
FCS 35 A R	FCS 35 A L	Tr 35x6	1	50	63	78	8.5	14	8.5	105	35	6	M8	0.221	5277
FCS 40 A R	FCS 40 A L	Tr 40x7	1	55	68	84	8.5	14	8.5	120	40	6	M8	0.289	6880
FCS 40 I R	--	Tr 40x10	1	55	68	84	8.5	14	8.5	120	40	6	M8	0.252	6597
FCS 50 A R	FCS 50 A L	Tr 50x8	1	65	80	100	10.5	17	10.5	150	50	6	M10	0.476	10840

(1) Total bearing surface between screw and nut teeth on plane perpendicular to axis.