

膜片联轴器 RDC系列

Diaphragm Coupling RDC Series

RDC系列概述 RDC series Summarize

- RDC主体联轴器材料采用碳钢材料制造,膜片采用弹簧用高强度不锈钢片制造;使RDC膜片联轴器具有超高扭转刚性特点,非常适用于精密传动。
- RDC标准联轴器有单、双膜片多种结构,详见 44-50页。
- 应用: 压缩机、泵、搅拌机、混合机以及其他负载较大的场合

RDC Couplings and diaphragms are made of carbon steel materials and high-strength stainless steel sheets respectively. All these make the couplings perfect for the precision transmission because of high torsional stiffness.

RDC Standard Couplings are designed with single and double diaphragms. For more details, please refer to page 44 to page 50.

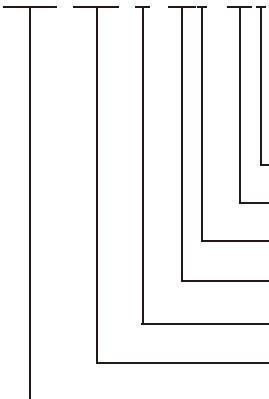
Application: Compressor, pump, mixer and other load larger occasions.



型号说明 Model Coding

RDC-038-A-24J-24J

1 2 3 4 5 6 7 8 9 10 11 12 13 14 15 16 17



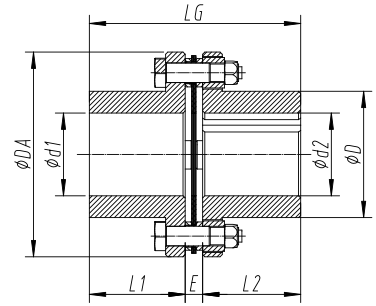
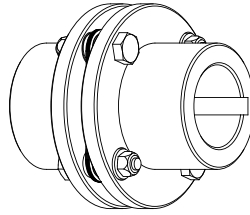
- ① 从动轴连接方式 (J-键连接)
- ② 孔径尺寸代码 (从动轴)
- ③ 主动轴连接方式 (J-键连接)
- ④ 孔径尺寸代码 (主动轴)
- ⑤ 产品结构代码 (A/B)
- ⑥ 规格代码
- ⑦ 种类代码

- ① Driven Shaft Connection Method (J-Keyway connection)
- ② Bore Dimension Code(Driven Shaft)
- ③ Driving Shaft Connection Method (J-Keyway connection)
- ④ Bore Dimension Code(Driving Shaft)
- ⑤ Product Structure Code(A/B)
- ⑥ Size Code
- ⑦ Series Code

膜片联轴器 RDC系列

Diaphragm Coupling RDC Series

- 单节式结构
- 具有角向和轴向纠偏能力
- 扭向刚性好
- 结构紧凑
- Single-section structure
- Angular and axial deviation correction functions
- High torsional stiffness
- Compact structure



A型结构尺寸表 单位: mm Dimension Table of A-type Unit: mm

规格 Size	d1 max	d2 max	DA	D	LG	L1	E	L2
20	20	20	56	32	45	20	5	20
25	25	25	68	40	56	25	6	25
35	35	35	82	54	86	40	6	40
38	38	38	94	58	98	45	8	45
42	42	42	104	68	100	45	10	45
50	50	50	126	78	121	55	11	55
60	60	60	138	88	121	55	11	55
70	70	70	156	102	141	65	11	65
80	80	80	179	117	164	75	14	75
85	85	85	191	123	175	80	15	80
90	90	90	210	132	175	80	15	80
105	105	105	225	147	200	90	20	90
115	115	115	265	163	223	100	23	100

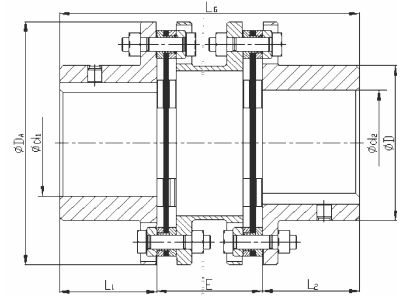
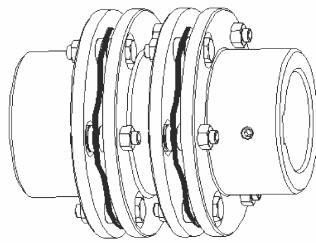
A型性能参数 Performance Parameters of A-type

规格 Size	额定扭矩 Rated Torque (Nm)	最高转速 Max. Rotation Speed (r/min)	角向偏差 (度) Angular Deviation(°)	轴向偏差 Axial Deviation (mm)	径向偏差 Radial Deviation (mm)	转动惯量 Moment of Inertia (kg.m ²)	膜片扭向性刚度 Torsional Stiffness of Diaphragm (10 ⁶ Nm/rad)
20	15	20000	1.0	0.6	—	0.0001	0.017
25	30	16000	1.0	0.8	—	0.00026	0.028
35	60	13000	1.0	1.0	—	0.0008	0.092
38	120	12000	1.0	1.2	—	0.0016	0.198
42	180	10000	1.0	1.4	—	0.0027	0.282
50	330	8000	1.0	1.6	—	0.0061	0.501
60	690	6700	1.3	1.0	—	0.0082	0.56
70	1100	5900	1.3	1.1	—	0.0152	0.90
80	1500	5100	1.3	1.3	—	0.029	1.14
85	2400	4750	1.3	1.3	—	0.042	1.52
90	4500	4300	1.0	1.0	—	0.064	1.94
105	5100	4000	1.0	1.2	—	0.093	2.54
115	9000	3400	1.0	1.4	—	0.199	3.48

膜片联轴器 RDC系列

Diaphragm Coupling RDC Series

- 1 紧凑的双节式结构
 - 2 纠偏能力强
 - 3 可替换曲面齿连轴器
- 1 Compact double-section structure
 - 2 Strong deviation correction function
 - 3 Able to replace curved-tooth couplings



B型结构尺寸表 单位: mm Dimension Table of B-type Unit: mm

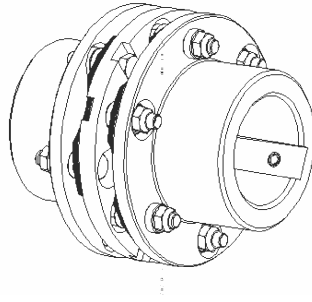
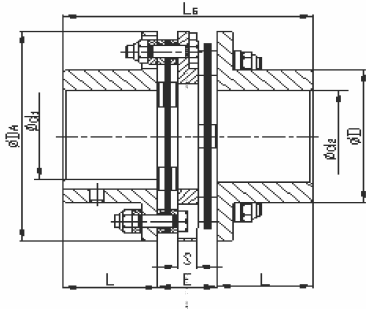
规格Size	d1 max	d2 max	DA	D	LG	L1	E	L2
20	20	20	56	32	—	20	—	20
25	25	25	68	40	—	25	—	25
35	35	35	82	54	—	40	—	40
38	38	38	94	58	—	45	—	45
42	42	42	104	68	—	45	—	45
50	50	50	126	78	—	55	—	55
60	60	60	138	88	170	55	60	55
70	70	70	156	102	200	65	70	65
80	80	80	179	117	233	75	83	75
85	85	85	191	123	246	80	86	80
90	90	90	210	132	251	80	91	80
105	105	105	225	147	281	90	101	90
115	115	115	265	163	309	100	109	100

B型性能参数 Performance Parameters of B-type

规格Size	额定扭矩 Rated Torque (Nm)	最高转速 Max. Rotation Speed (r/min)	角向偏差 (度) Angular Deviation(o)	轴向偏差 Axial Deviation (mm)	径向偏差 Radial Deviation (mm)	转动惯量 Moment of Inertia (kg.m ²)	膜片扭向性刚度 Torsional Stiffness of Diaphragm (10 ⁶ Nm/rad)
20	15	20000	1.0	1.2	0.1	—	0.0085
25	30	16000	1.0	1.6	0.2	—	0.014
35	60	13000	1.0	2.0	0.2	—	0.046
38	120	12000	1.0	2.4	0.3	—	0.099
42	180	10000	1.0	2.8	0.3	—	0.141
50	330	8000	1.0	3.2	0.4	—	0.2505
60	690	6700	1.3	2.0	1.0	0.012	0.28
70	1100	5900	1.3	2.2	1.2	0.022	0.45
80	1500	5100	1.3	2.6	1.5	0.042	0.57
85	2400	4750	1.3	2.3	1.5	0.064	0.76
90	4500	4300	1.0	2.0	1.4	0.103	0.97
105	5100	4000	1.0	2.4	1.6	0.143	1.27
115	9000	3400	1.0	2.8	1.3	0.333	1.74

膜片联轴器 RDC系列

Diaphragm Coupling RDC Series



- 紧凑的双节式结构
- 纠偏能力强
- 可替换曲面齿连轴器
- Compact double-section structure
- Strong deviation correction function
- Can be used to replace curved-tooth couplings

C型结构尺寸表 单位: mm Dimension Table of C-type Unit: mm

规格Size	d1 max	d2 max	DA	D	LG	L1	E	L2	S
20	20	20	56	32	55	20	15	20	5
25	25	25	68	40	68	25	18	25	6
35	35	35	82	54	98	40	18	40	6
38	38	38	94	58	114	45	24	45	8
42	42	42	104	68	118	45	28	45	8
50	50	50	126	78	142	55	32	55	10
60	60	60	138	88	144	55	34	55	12
70	70	70	156	102	164	65	34	65	12

C型性能参数 Performance Parameters of C-type

规格Size	额定扭矩 Rated Torque (Nm)	最高转速 Max. Rotation Speed (r/min)	角向偏差 (度) Angular Deviation(o)	轴向偏差 Axial Deviation (mm)	径向偏差 Radial Deviation (mm)	转动惯量 Moment of Inertia (kg.m ²)	膜片扭向性刚度 Torsional Stiffness of Diaphragm (10 ⁶ Nm/rad)
20	15	20000	1.0	1.2	0.1	0.0001	0.0085
25	30	16000	1.0	1.6	0.2	0.00025	0.014
35	60	13000	1.0	2.0	0.2	0.0085	0.046
38	120	12000	1.0	2.4	0.3	0.0015	0.099
42	180	10000	1.0	2.8	0.3	0.0024	0.141
50	330	8000	1.0	3.2	0.4	0.008	0.2505
60	690	6700	1.3	2.0	1.0	0.01	0.28
70	1100	5900	1.3	2.2	1.2	0.02	0.45

定货号示例 Order Example: RDC-35-A-35Jx28J

RDC-35-A	35J	28J
REACH膜片联轴器 35规格A型 REACH Diaphragm Couplings Size 35 A-type	轴套孔直径为35,键槽连接形式 The diameter of bore in the hub is 35 Connected by keyway	轴套孔直径为35,键槽连接形式 The diameter of bore in the hub is 35 Keyway Connection

连接形式说明: J 表示键槽连接形式 Z 表示键槽胀套连接形式
Explanation of the Connection: "J" means the keyway connection and, "z" refers to the connection between the keyway and locking devices