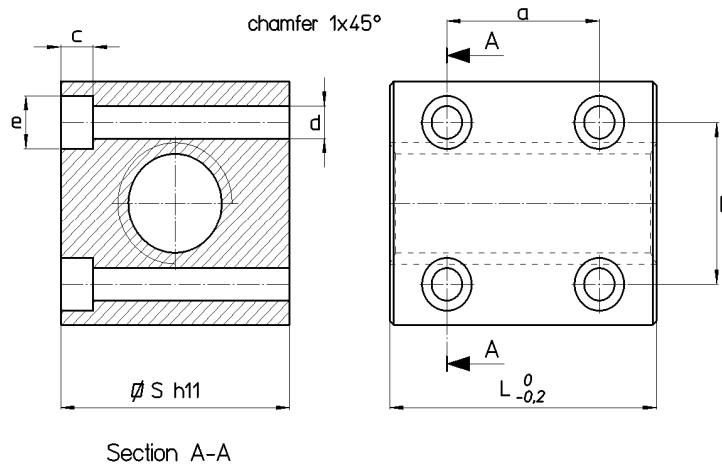


Trapezoidal nut type CQF – Steel square nut with holes

Material: EN 10277-3 11 S Mn Pb 37 – 1.0737

This nut is used as a fixing nut or for manual movements where the load is not important, because the steel to steel coupling used for moving under loads tends to seize.



Nut Stock no. RIGHT	Nut Stock no. LEFT	Diameter x lead	Thread starts	S mm	L mm	a mm	b mm	c mm	d mm	e mm	Fixing allen screws UNI 5931	Wt. kg/each	At mm ² (1)
CQF 12 A R	CQF 12 A L	Tr 12x3	1	25	30	20	17	4.2	4	7	M4	0.105	495
CQF 14 A R	CQF 14 A L	Tr 14x4	1	30	35	24	20	5.2	5	9,5	M5	0.180	658
CQF 16 A R	CQF 16 A L	Tr 16x4	1	35	40	24	21	5.2	5	9,5	M5	0.290	880
CQF 18 A R	CQF 18 A L	Tr 18x4	1	35	45	26	24	6.5	6	10	M6	0.305	1131
CQF 20 A R	CQF 20 A L	Tr 20x4	1	40	50	38	28	6.5	6	10	M6	0.460	1412
CQF 25 A R	CQF 25 A L	Tr 25x5	1	45	55	40	33	6.5	6	10	M6	0.620	1943
CQF 30 A R	CQF 30 A L	Tr 30x6	1	50	60	48	38	6.5	6	10	M6	0.805	2544
CQF 35 A R	CQF 35 A L	Tr 35x6	1	60	70	55	45	8.5	8	13	M8	1.365	3517
CQF 40 A R	CQF 40 A L	Tr 40x7	1	60	70	55	49	8.5	8	9.9	M8 (3)	1.210	4013
CQF 50 A R	CQF 50 A L	Tr 50x8	1	70	90	70	60	8.5	8	9.9	M8 (3)	2.060	6502
CQF 60 A R	CQF 60 A L	Tr 60x9	1	80	100	80	69	8.5	8	9.9	M8 (3)	2.855	8718

(1) Total bearing surface between screw and nut teeth on plane perpendicular to axis.

(3) Special M8 fixing screw with a reduced head screw diameter.