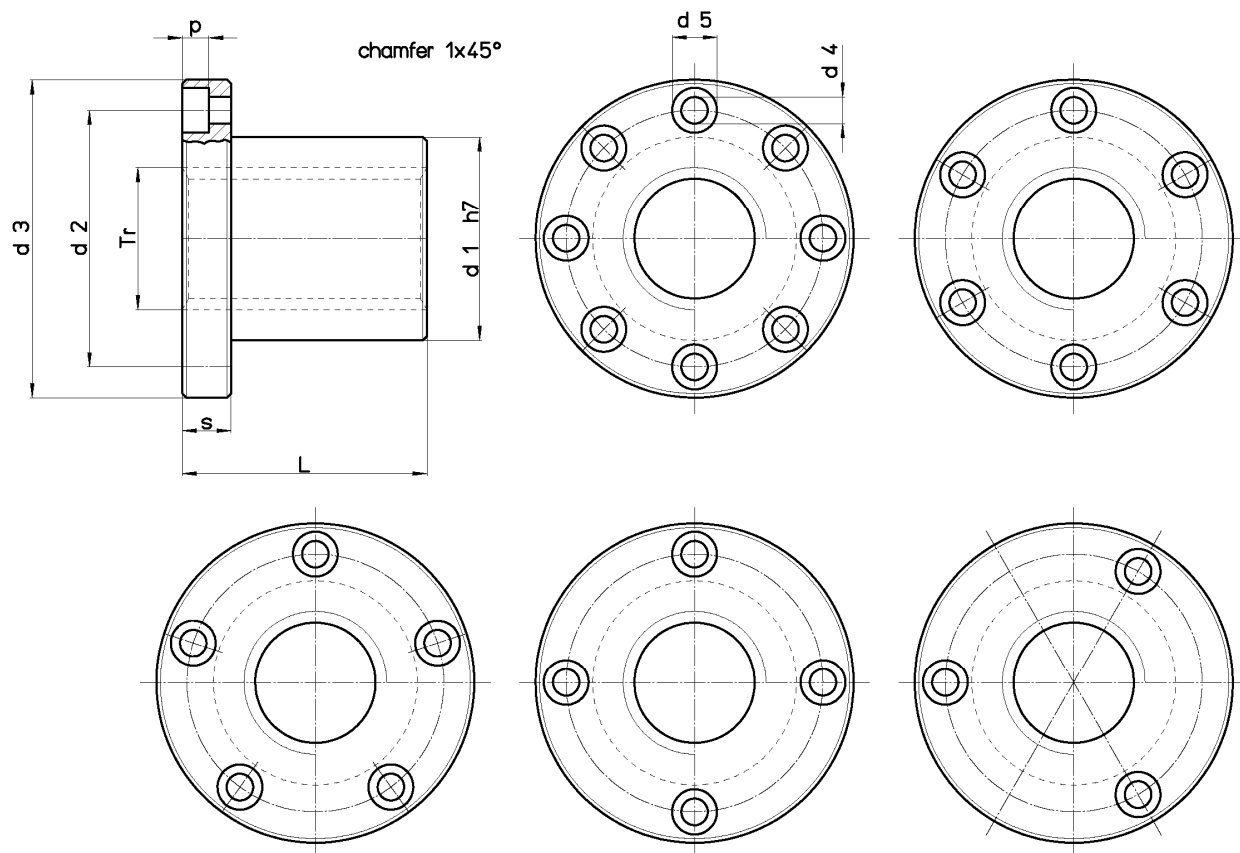


Trapezoidal nut type CBC - Flanged bronze

Material: EN 1982 Cu Sn12-C – CC483K

Flanged Bronze Nut suitable for movement with modest loads as compared with FXN, HDL and HAL.

Good lubrication is recommended.



PAY ATTENTION TO THE NUMBER OF FASTENING SCREW HOLES SPECIFIED IN THE TABLE

Nut Stock no. RIGHT	Nut Stock no. LEFT	Diameter x lead	Thread starts	d1 mm	d2 mm	d3 mm	d4 mm	d5 mm	p mm	L mm	s mm	no. screw holes	Fastening screws (class 8.8)	Wt. kg/each	At mm ² (1)
CBC 10 A R	CBC 10 A L	Tr 10x3	1	16	24	32	4.5	7.5	4.2	20	8	3	M4	0.062	267
CBC 12 A R	CBC 12 A L	Tr 12x3	1	18	26	35	4.5	7.5	4.2	22	8	4	M4	0.074	362
CBC 14 A R	CBC 14 A L	Tr 14x4	1	20	30	40	5.5	9,5	5.2	25	10	4	M5	0.111	470
CBC 16 A R	CBC 16 A L	Tr 16x4	1	22	32	42	5.5	9,5	5.2	30	10	4	M5	0.131	660
CBC 18 A R	CBC 18 A L	Tr 18x4	1	25	35	45	5.5	9,5	5.2	35	10	4	M5	0.168	880
CBC 20 A R	CBC 20 A L	Tr 20x4	1	30	40	50	5.5	9,5	5.2	40	10	5	M5	0.248	1130
CBC 25 A R	CBC 25 A L	Tr 25x5	1	35	48	60	6.5	11	6.5	45	12	5	M6	0.380	1590
CBC 28 A R	CBC 28 A L	Tr 28x5	1	40	53	65	6.5	11	6.5	50	12	5	M6	0.505	2000
CBC 30 A R	CBC 30 A L	Tr 30x6	1	40	53	65	6.5	11	6.5	50	12	5	M6	0.470	2120
CBC 35 A R	CBC 35 A L	Tr 35x6	1	50	63	75	6.5	11	6.5	60	12	6	M6	0.815	3015
CBC 36 A R	CBC 36 A L	Tr 36x6	1	50	63	75	6.5	11	6.5	60	12	6	M6	0.786	3110
CBC 40 A R	CBC 40 A L	Tr 40x7	1	55	68	80	6.5	11	6.5	65	12	6	M6	0.971	3727
CBC 45 A R	CBC 45 A L	Tr 45x8	1	60	73	85	6.5	11	6.5	80	12	8	M6	1.254	5152
CBC 50 A R	CBC 50 A L	Tr 50x8	1	65	78	90	6.5	11	6.5	80	12	8	M6	1.372	5780
CBC 55 A R	--	Tr 55x9	1	70	85	100	8.5	14	8.5	95	15	6	M8	1.893	7534
CBC 60 A R	CBC 60 A L	Tr 60x9	1	75	90	105	8.5	14	8.5	95	15	6	M8	2.042	8282
CBC 70 A R	CBC 70 A L	Tr 70x10	1	90	105	120	8.5	14	8.5	120	18	8	M8	3.715	12252
CBC 80 A R	CBC 80 A L	Tr 80x10	1	100	115	130	8.5	14	8.5	120	18	8	M8	4.178	14137
CBC 90 A R	--	Tr 90x12	1	120	135	150	10,5	0	0	140	25	8	M10	8,122	18473
CBC A0 A R	--	Tr 100x12	1	130	155	180	12,5	0	0	160	30	8	M12	11,561	23625
CBC C0 A R	--	Tr 120x14	1	150	170	195	14,5	0	0	180	35	8	M14	15,027	31950

(1) Total bearing surface between screw and nut teeth on plane perpendicular to axis.