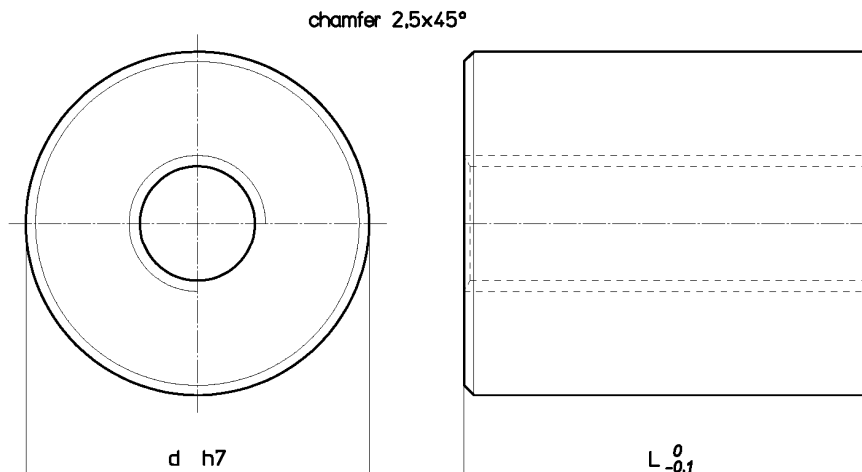


# Trapezoidal nut type BIG - Cylindrical bronze

**Material: EN 1982 Cu Sn12-C – CC483K**

Large cylindrical nut with non-standard pitches especially suitable for replacement.



Nut Stock no. <b>RIGHT</b>	Nut Stock no. <b>LEFT</b>	<b>Diameter x lead</b>	Thread starts	<b>d</b> mm	<b>L</b> mm	<b>Wt.</b> kg/each	<b>At</b> mm <sup>2</sup> (1)
BIG 20 A R	BIG 20 A L	<b>Tr 20x4</b>	1	78	60	2.43	1696
BIG 25 A R	BIG 25 A L	<b>Tr 25x5</b>	1	78	75	2.96	2650
BIG 30 R R	BIG 30 R L	<b>Tr 30x3</b>	1	78	90	3.30	4029
BIG 30 Q R	BIG 30 Q L	<b>Tr 30x4</b>	1	78	90	3.31	3958
BIG 30 P R	BIG 30 P L	<b>Tr 30x5</b>	1	78	90	3.32	3888
BIG 30 A R	BIG 30 A L	<b>Tr 30x6</b>	1	78	90	3.33	3817
BIG 35 R R	BIG 35 R L	<b>Tr 35x3</b>	1	88	105	4.85	5525
BIG 35 Q R	BIG 35 Q L	<b>Tr 35x4</b>	1	88	105	4.86	5443
BIG 35 P R	BIG 35 P L	<b>Tr 35x5</b>	1	88	105	4.87	5360
BIG 35 A R	BIG 35 A L	<b>Tr 35x6</b>	1	88	105	4.89	5378
BIG 40 R R	BIG 40 R L	<b>Tr 40x3</b>	1	98	120	6.80	7257
BIG 40 Q R	BIG 40 Q L	<b>Tr 40x4</b>	1	98	120	6.82	7163
BIG 40 P R	BIG 40 P L	<b>Tr 40x5</b>	1	98	120	6.83	7068
BIG 40 O R	BIG 40 O L	<b>Tr 40x6</b>	1	98	120	6.85	6974
BIG 40 A R	BIG 40 A L	<b>Tr 40x7</b>	1	98	120	6.87	6880
BIG 40 I R	--	<b>Tr 40x10</b>	1	98	120	6.91	6597
BIG 50 R R	BIG 50 R L	<b>Tr 50x3</b>	1	108	150	9.74	11427
BIG 50 Q R	BIG 50 Q L	<b>Tr 50x4</b>	1	108	150	9.77	11309
BIG 50 P R	BIG 50 P L	<b>Tr 50x5</b>	1	108	150	9.79	11192
BIG 50 O R	BIG 50 O L	<b>Tr 50x6</b>	1	108	150	9.82	11074
BIG 50 A R	BIG 50 A L	<b>Tr 50x8</b>	1	108	150	9.87	10838
BIG 50 I R	--	<b>Tr 50x10</b>	1	108	150	9.92	10600
BIG 60 O R	--	<b>Tr 60x6</b>	1	118	180	13.29	16116
BIG 60 N R	--	<b>Tr 60x7</b>	1	118	180	13.32	15975
BIG 60 A R	--	<b>Tr 60x9</b>	1	118	180	13.36	15692

(1) Total bearing surface between screw and nut teeth on plane perpendicular to axis.