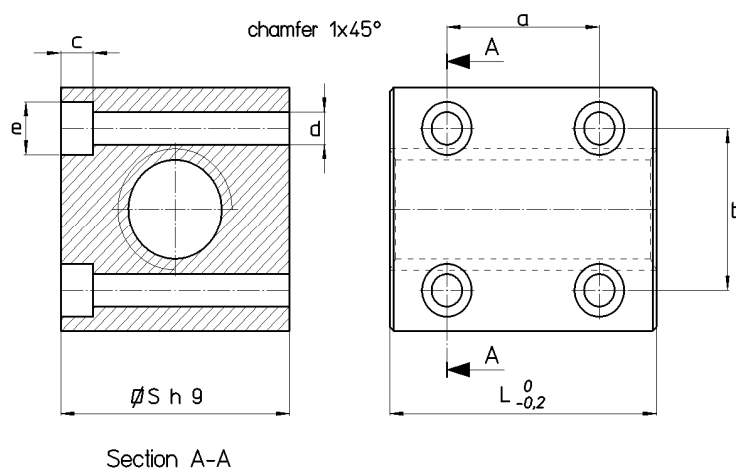


Trapezoidal nut type QBF – Bronze square nut with holes

Material: EN 1982 Cu Sn12-C – CC483K

Tin bronze nut suitable for movements with modest loads. It is recommended for its fixing comfort and for its good wear resistance.



Nut Stock no. RIGHT	Nut Stock no. LEFT	Diameter x lead	Thread starts	S mm	L mm	a mm	b mm	c mm	d mm	e mm	Fixing allen screws UNI 5931	Wt. kg/each	At mm ² (1)
QBF 16 A R	QBF 16 A L	Tr 16x4	1	35	40	26	24	5.2	5	9,5	M5	0.340	880
QBF 20 A R	QBF 20 A L	Tr 20x4	1	40	50	38	28	6.5	6	10	M6	0.576	1412
QBF 25 A R	QBF 25 A L	Tr 25x5	1	45	55	40	33	6.5	6	10	M6	0.725	1943
QBF 30 A R	QBF 30 A L	Tr 30x6	1	50	60	49	38	6.5	6	10	M6	0.977	2544
QBF 40 A R	QBF 40 A L	Tr 40x7	1	60	75	55	49	8.5	8	9.9	M8 (3)	1.608	4013

(1) Total bearing surface between screw and nut teeth on plane perpendicular to axis.

(3) Special M8 fixing screw with a reduced head screw diameter.